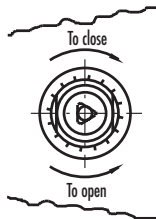


Security latches

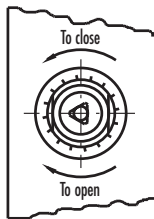
- Nickel-plated steel **locking male**.
- Nickel-plated brass **guide bush**.
- Zinc-plated steel **spring** plane washer DIN 6798.
- Nickel-plated brass **hexagonal nut** (24 mm wrench size).
- Sintered and oxidised steel **helical latch** with partly-machined hole for pinning.
- $\varnothing 3 \times 20$ mm DIN 1481 burnished steel **spring dowel pin** (standard accessory).
- Zinc-plated steel **latch spring** to compensate door thickness.
- Black matte finish polyamide-based (PA) **technopolymer key**.
- **Types -D** and **-S** for opening to the right or to the left.



Supplied unassembled to allow fitment on different door thickness.



Opening to left
(door hinge on left side)

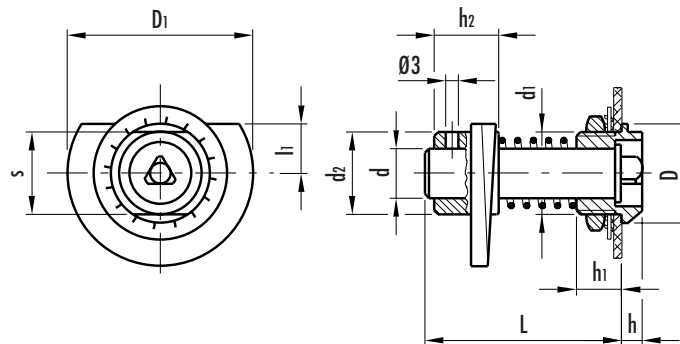
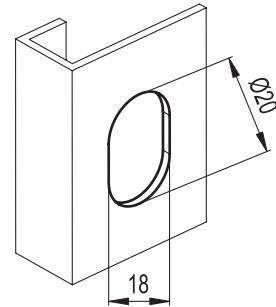
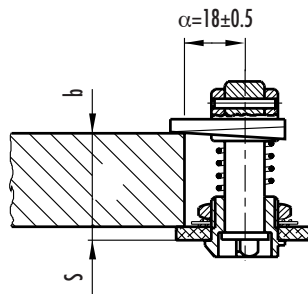


Opening to right
(door hinge on right side)

Selection of the available latch lengths L:

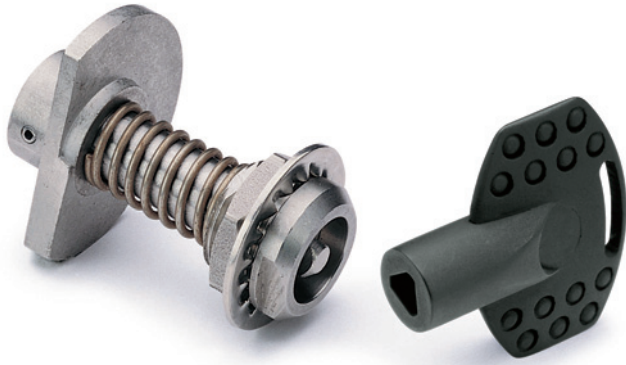
Type	Thickness		Hole template
	$S+b \geq$	$S+b \leq$	
L			DxH
46	25	31	$\varnothing 20 \times 18$
54	28	39	$\varnothing 20 \times 18$
64	30	49	$\varnothing 20 \times 18$

S= door thickness
b= wall thickness



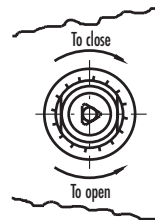
Standard elements		Main dimensions							Latch dimensions				Weight
Code	Description	D	h	d	d1	h1	L	s	D1	d2	h2	h1	grams
6211	BOCK.25-1-D						46						142
6212	BOCK.25-1-S						46						142
6221	BOCK.25-2-D	24	6	12	M20x1.5	11	54	20	45	20	15	12	150
6222	BOCK.25-2-S						54						150
6231	BOCK.25-3-D						64						160
6232	BOCK.25-3-S						64						160

Security latches

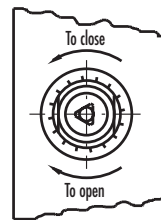


- AISI 303 stainless steel **locking male**.
- AISI 303 stainless steel **guide bush**.
- AISI 303 stainless steel DIN 6798 **spring plane washer**.
- AISI 303 stainless steel **hexagonal nut** (24 mm wrench size).
- Sintered AISI 316 L stainless steel **helical latch** with partly-machined hole for pinning.
- Ø 3x20 mm AISI 303 stainless steel DIN 1481 **spring dowel pin** (standard accessory).
- AISI 302 stainless steel **latch spring** to compensate door thickness.
- Black matte finish polyamide-based (PA) **technopolymer key**.
- **Types -D** and **-S** for opening to the right or to the left.

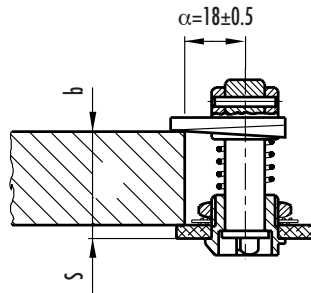
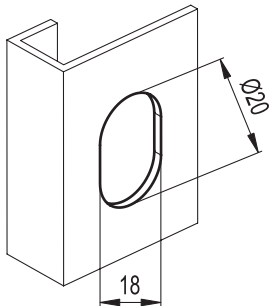
Supplied unassembled to allow fitment on different door thickness.



Opening to left
(door hinge on left side)



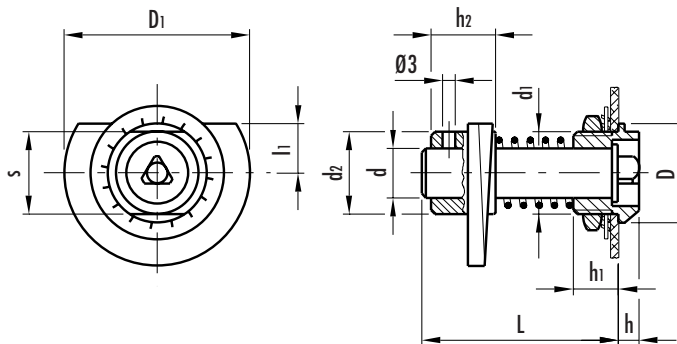
Opening to right
(door hinge on right side)



Selection of the available latch lengths L:

Type	Thickness		Hole template
L	S+b ≥	S+b ≤	DxH
46	25	31	Ø 20x18
54	28	39	Ø 20x18

S= door thickness
b= wall thickness



Standard elements		Main dimensions							Latch dimensions				Weight
Code	Description	D	h	d	d1	h1	L	s	D1	d2	h2	l1	grams
6215	BOCK.25-1-D-INOX	24	6	12	M20x1.5	11	46	20	45	20	15	12	142
6216	BOCK.25-1-S-INOX						46						142
6225	BOCK.25-2-D-INOX						54						150
6226	BOCK.25-2-S-INOX						54						150