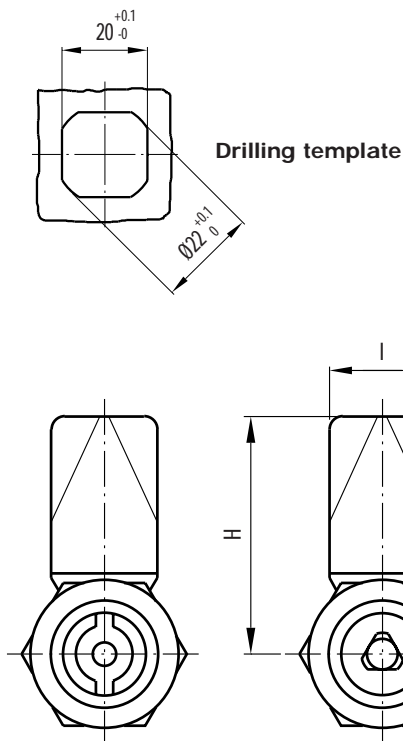


Latches with recessed key

- **AISI 304 stainless steel rotor** with two-wing or triangular key mark.
- **AISI 304 stainless steel stator.**
- Assembly with **AISI 304 stainless steel nut** M22x1.5 and SBR rubber retaining washer.
- **AISI 304 stainless steel screw.**
- **90° rotation.**
- **Degree of protection IP 65** (see page 385).
- **Polyamide-based (PA) technopolymer keys:**
 - for two-wing mark (type CQ.INOX/A)
 - for triangular mark (type CQ.INOX/T)
- Shaped, AISI 304 stainless steel **closing lever**, 4 mm thickness.

Levers with other dimensions on request and for sufficient quantities.



Standard elements		Main dimensions						Weight
Code	Description	D	h	l	l ₁	l ₂	H	grams
421331	CQ/A-45-SST	28	4	20	18	-	45	88
421337	CQ/A-45-24-SST					24		95
421371	CQ/T-45-SST	28	4	20	18	-	45	91
421377	CQ/T-45-24-SST					24		98