



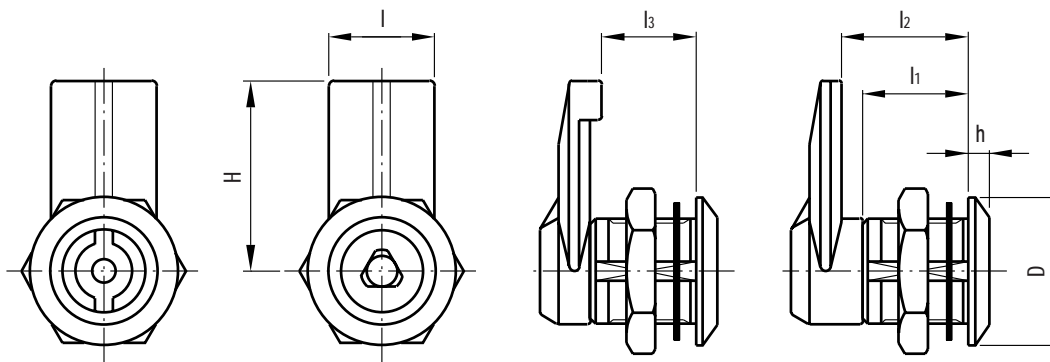
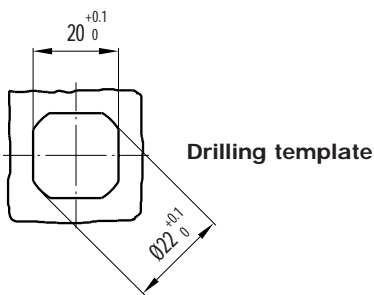
Latches with recessed key



- **Glass-fibre reinforced polyamide-based (PA) technopolymer** rotor certified self-extinguish **UL 94 V-0**, with two-wing or triangular key mark. Resistant to solvents, oils, greases and other chemical agents.
- **Black** standard colour with matte finish.
- Technopolymer **stator**.
- Assembly with technopolymer **nut** M22x1.5 and **retaining washer** in SBR rubber.
- Zinc plated steel **self tapping screw**.
- **90° rotation**.
- **IP 65** degree of protection (see page 385).
- **Polyamide-based (PA) technopolymer keys:**
 - two-wing mark (type CQT/A)
 - triangular mark (type CQT/T).

UL 94 "V-0" certification (Underwriters Laboratories) indicates that on a plastic test sample with specific shape and dimensions, in the vertical position, the flame is extinguished within 10 seconds, without generating incandescent drops.

On request and for sufficient quantities cylindrical body of wing nuts in other dimensions.



Standard elements		Main dimensions							Weight
Code	Description	D	h	l	l ₁	l ₂	l ₃	H	grams
421391	CQT/A-32 AE-V0	28	4	20	20	-	-	32	20
421393	CQT/A-32-18 AE-V0					-	18		
421395	CQT/A-32-24 AE-V0					24	-		
421397	CQT/A-32-32 AE-V0					32	-		
421401	CQT/T-32 AE-V0	28	4	20	20	-	-	32	20
421403	CQT/T-32-18 AE-V0					-	18		
421405	CQT/T-32-24 AE-V0					24	-		
421407	CQT/T-32-32 AE-V0					32	-		