

## Crank handles

- **Glass-fibre reinforced polyamide based (PA) technopolymer.**

Resistant to solvents, oils, greases and other chemical agents.

- **Grey-black** standard colour with matte finish.

- Black oxide **steel hub** with standard reamed hole, tolerance H7.

- Glass-fibre reinforced polyamide based (PA) technopolymer press-fit **hub cap** (ECM.K) in one of the Ergostyle colours with matte finish. Supplied not assembled. Removable with screwdriver.

- Polypropylene-based (PP) technopolymer **revolving handle**, type ECH+x (page 326). Two-volume design provides the fingers with a safe and ergonomic grip, preventing them from slipping off. The semi-spherical end cap fits comfortably in the palm of the hand.

- **Axial retaining washer** (on request), type GN 184 (page 452).

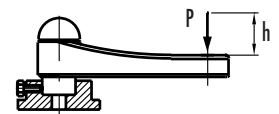
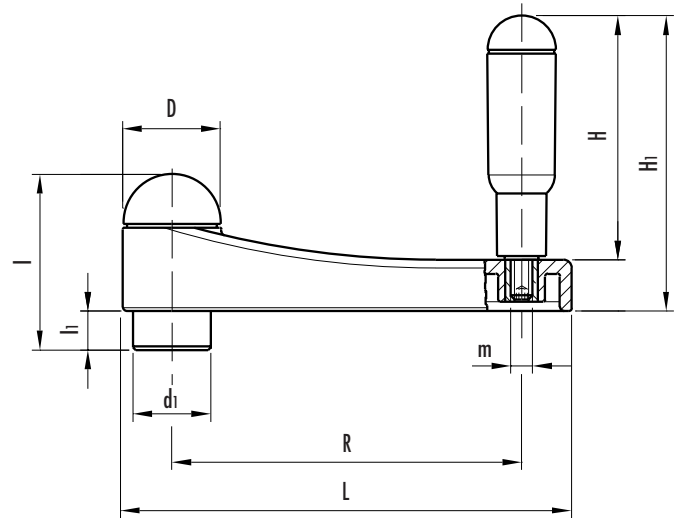
The reticular structure of the crank arm and the special technopolymer used make this handle very strong and therefore suitable for transmitting high torque values.

See Technical Data for maximum applicable torque (C) and impact strength (L).

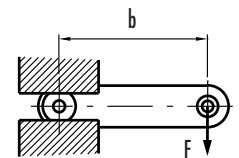
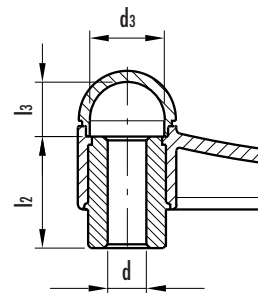
When ordering please complete the code and the description of the element needed specifying the colour of the hub cap (see the available colours shown above the dimensions table).

Sample order:

210241 - C4 EKH.100 A-12 - C4  
Crank handle with yellow hub cap



$$L[J] = P[N] \cdot h[m]$$



$$C[N \cdot m] = F[N] \cdot b[m]$$

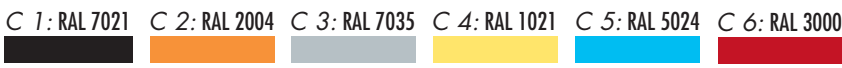
The hub caps are also available as accessories sold in one of the Ergostyle colours. When ordering the hub cap, please complete its code (2963) and basic description (ECM.K) with the indexes of the dimension and colour.

Sample order for hub caps:

2963 [4] - [C4] ECM.K4 - C4 = yellow hub cap for crank handle EKH.125

3 = EKH.100  
4 = EKH.125

C1 = GREY-BLACK  
C2 = ORANGE  
C3 = GREY  
C4 = YELLOW  
C5 = LIGHT-BLUE  
C6 = RED



Standard elements		Main dimensions										Bore		Handle		C	L	Weight
Code ▲	Description ▲	R	L	D	d1	d3	l	l1	l3	H1	d H7	l2	H	m	[N·m]	[J]	grams	
210241 -	EKH.100 A-12 -	101	131.5	30.5	24	23.5	52.5	10	17	89	12	33	73	M8	200	27	200	
210251 -	EKH.125 A-14 -	126	161.5	35	28	26.5	62	14	18	104.5	14	40	86	M8	350	45	298	

▲ Complete the code and the description of the standard item needed specifying the index of the colour of the hub cap.