

EMW+IEL

ELESA original design

Monospoke handwheels

• Material

High impact strength special technopolymer. Resistant to solvents, oils, greases and other chemical agents.

• Colour

Black with matte finish.

• Boss

Black oxide steel with standard H7 tolerance reamed hole.

• Boss caps ECB.Y3*

Technopolymer in one of the six Ergostyle colours with glossy finish, press-fit mounting, removable by pressing on the outer edge.

• Revolving handle

Type IEL+x. Elastomer technopolymer (TPE), Shore 40 hardness D. Black colour with matte finish. The special two-volume design of this handle provides the fingers with a safe and ergonomic grip, preventing them from slipping off during rotation of the handwheel. Moreover it avoids any risks of hooking operator's clothing.

• Accessories on request

Axial retaining washer type GN 184.



Ergonomy and Design

The light visual impact and the eccentric movement effect of EMW. Monospoke handwheel offer a modern and innovative design. A high degree of flexibility and resilience to guarantee maximum operator safety in cases of accidental contact.

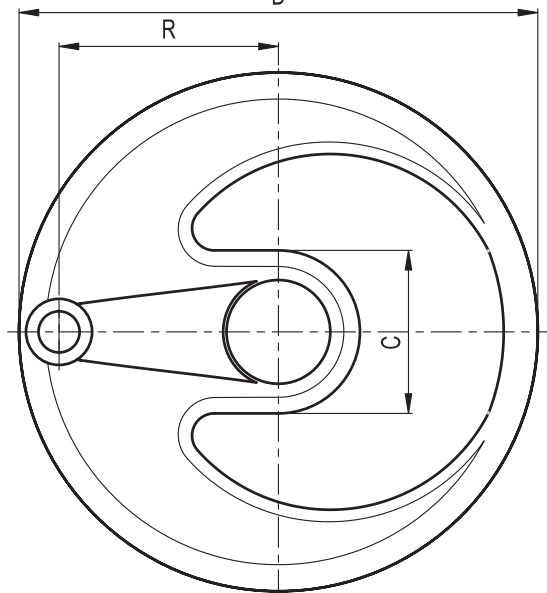
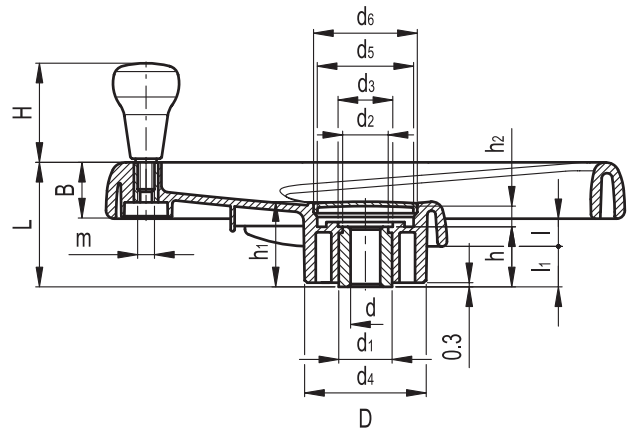
Order

When ordering please complete the code and the description of the element needed specifying the colour of the boss cap (see the available colours shown above the dimensions table).

Sample order:

204611 - C3 EMW.350+IEL A-20 - C3

Monospoke handwheel with grey boss caps.



* The boss caps are also available as accessories sold in one of the Ergostyle colours. When ordering the boss cap, please complete its code (29511) and basic description (ECB.Y3) with the index of the colour.

Sample order for boss caps:

29511 - C5 ECB.Y3 - C5 = light-blue boss cap for monospoke handwheel EMW.

- C1= GREY-BLACK
- C2= ORANGE
- C3= GREY
- C4= YELLOW
- C5= LIGHT-BLUE
- C6= RED

C 1: RAL 7021 C 2: RAL 2004 C 3: RAL 7035 C 4: RAL 1021 C 5: RAL 5024 C 6: RAL 3000



Standard elements		Main dimensions													Bore		Handle			Weight	
Code ▲	Description ▲	D	L	B	I	I1	d1	d2	d3	d4	d5	d6	h1	h2	C	d H7	h	H	m	R	grams
204611 -	EMW.350+IEL A-20 -	350	82	38	19	25	35	33	35	82	69	70	55	14	108	20	38	65	M10	148	1195

▲ Complete the code and the description of the standard item needed specifying the index of the colour of the boss cap.

Monospoke handwheels

• Material

High-impact strength special technopolymer. Resistant to solvents, oils, greases and other chemical agents.

• Colour

Black with matte finish.

• Boss

Black oxide steel with standard H7 tolerance reamed hole.

• Boss caps ECB.Y3*

Technopolymer in one of the six Ergostyle colours with glossy finish, press-fit mounting, removable by pressing on the outer edge.

• Fold-away handle

Type IR.620. Polyamide-based (PA) technopolymer in black colour with matte finish. The special two-volume design of this handle provides the fingers with a safe and ergonomic grip, preventing them from slipping off during rotation of the handwheel. The semispherical shape fits comfortably in the palm of the hand.

• Accessories on request

Axial retaining washer type GN 184.

Ergonomy and Design

The light visual impact and the eccentric movement effect of EMW. Monospoke handwheel offer a modern and innovative design. A high degree of flexibility and resilience to guarantee maximum operator safety in cases of accidental contact.

Order

When ordering please complete the code and the description of the element needed specifying the colour of the boss cap (see the available colours shown above the dimensions table).

Sample order:

204711 - C3 EMW.350+IR A-20 - C3

Monospoke handwheel with grey boss caps.

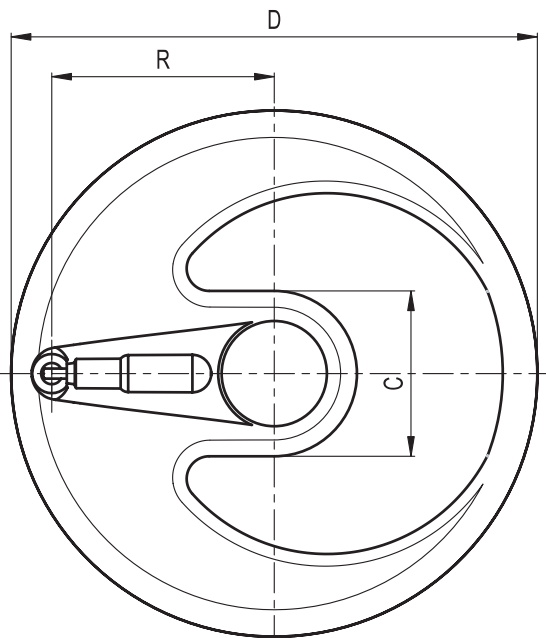
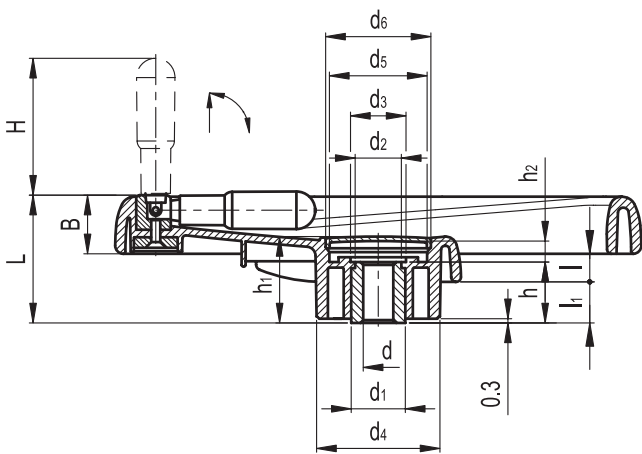
*The boss caps are also available as accessories sold in one of the Ergostyle colours. When ordering the boss cap, please complete its code (29511) and basic description (ECB.Y3) with the index of the colour.

Sample order for boss caps:

29511 - ECB.Y3 - C5 = light-blue boss cap for monospoke handwheel EMW.

- | |
|----------------|
| C1= GRAY-BLACK |
| C2= ORANGE |
| C3= GRAY |
| C4= YELLOW |
| C5= LIGHT BLUE |
| C6= RED |

C 1: RAL 7021 C 2: RAL 2004 C 3: RAL 7035 C 4: RAL 1021 C 5: RAL 5024 C 6: RAL 3000



Standard elements		Main dimensions														Bore		Handle		Weight
Code ▲	Description ▲	D	L	B	l	l1	d1	d2	d3	d4	d5	d6	h1	h2	C	d H7	h	H	R	grams
204711 -	EMW.350+IR A-20 -	350	82	38	19	25	35	33	35	82	69	70	55	14	108	20	38	90	148	1240

▲ Complete the code and the description of the standard item needed specifying the index of the colour of the boss cap.