

Adjustable handles

- **Lever body**

Zinc alloy die-cast, epoxy resin coating.

- **Colour**

RAL 2004 orange, RAL 3000 red, RAL 9006 grey, RAL 9005 black matte finish.

- **Clamping element**

Black-oxide steel with toothed element for coupling to the lever body, treated steel retaining screw and return spring.

Special executions on request (For sufficient quantities)

- Lever body in different colours.
- Chrome-plated lever.
- Clamping element with different threadings and lengths.

Features and applications

Particularly suitable when the lever turning angle is limited owing to lack of space.

Instructions of use

For clamping, lift the lever to disengage the clamping device toothing and bring it back to start position. By releasing the lever, the return spring automatically engages the toothing.

If the lever cannot make a 360° rotation, the clamping element can be easily screwed by means of the hexagon socket front head screw (after having disengaged the lever).

Ergonomy and design

The slightly arched shape of the lever and the ergonomic terminal enlargement give the operator a comfortable and safe grip and make the design of the handle more elegant.

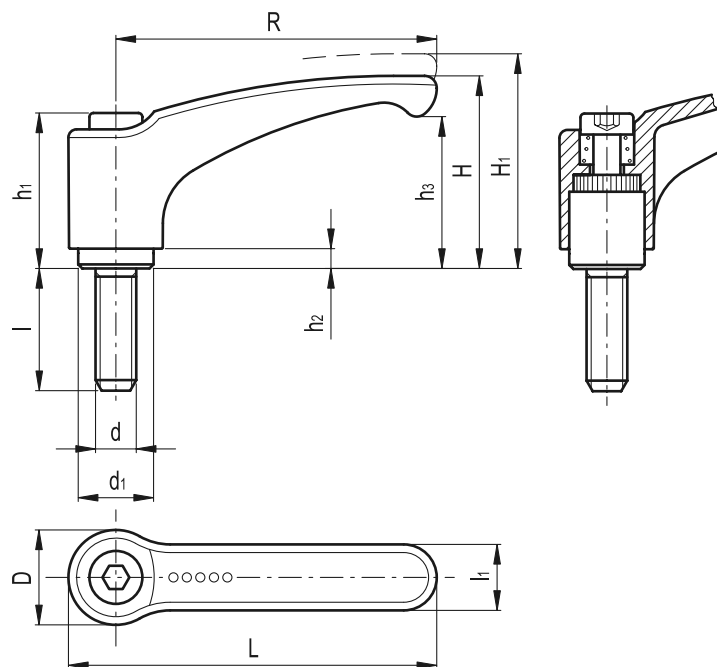
The design of the lever body of this series is exactly like the design of ERX.p adjustable levers, which has been awarded by the following juries for Industrial Design: Die Gute Industrieform Hannover 1995, Internationaler Designpreis des Landes Baden-Württemberg 1996/97.



3

32

Clamping levers



C2 RAL 2004 **C6** RAL 3000 **C8** RAL 9006 **C9** RAL 9005

Standard Elements		Main dimensions										Thread		Teeth no.	△△
Code	Description	R	L	D	H	H ₁	h ₁	h ₂	h ₃	d ₁	l ₁	d	l	z	g
240103.*	ERM.44 p-M4x12.*	44	52	14.5	30	33	24.5	3.5	20.5	10	11	M4	12	18	15
240105.*	ERM.44 p-M4x16.*	44	52	14.5	30	33	24.5	3.5	20.5	10	11	M4	16	18	16
240107.*	ERM.44 p-M4x20.*	44	52	14.5	30	33	24.5	3.5	20.5	10	11	M4	20	18	17
240109.*	ERM.44 p-M4x25.*	44	52	14.5	30	33	24.5	3.5	20.5	10	11	M4	25	18	18
240111.*	ERM.44 p-M4x32.*	44	52	14.5	30	33	24.5	3.5	20.5	10	11	M4	32	18	19
240133.*	ERM.44 p-M5x12.*	44	52	14.5	30	33	24.5	3.5	20.5	10	11	M5	12	18	17
240135.*	ERM.44 p-M5x16.*	44	52	14.5	30	33	24.5	3.5	20.5	10	11	M5	16	18	18
240137.*	ERM.44 p-M5x20.*	44	52	14.5	30	33	24.5	3.5	20.5	10	11	M5	20	18	19
240139.*	ERM.44 p-M5x25.*	44	52	14.5	30	33	24.5	3.5	20.5	10	11	M5	25	18	20
240141.*	ERM.44 p-M5x32.*	44	52	14.5	30	33	24.5	3.5	20.5	10	11	M5	32	18	21
240143.*	ERM.44 p-M5x40.*	44	52	14.5	30	33	24.5	3.5	20.5	10	11	M5	40	18	22
240145.*	ERM.44 p-M5x50.*	44	52	14.5	30	33	24.5	3.5	20.5	10	11	M5	50	18	23
240153.*	ERM.44 p-M6x12.*	44	52	14.5	30	33	24.5	3.5	20.5	10	11	M6	12	18	19
240155.*	ERM.44 p-M6x16.*	44	52	14.5	30	33	24.5	3.5	20.5	10	11	M6	16	18	20
240157.*	ERM.44 p-M6x20.*	44	52	14.5	30	33	24.5	3.5	20.5	10	11	M6	20	18	21
240159.*	ERM.44 p-M6x25.*	44	52	14.5	30	33	24.5	3.5	20.5	10	11	M6	25	18	22
240161.*	ERM.44 p-M6x32.*	44	52	14.5	30	33	24.5	3.5	20.5	10	11	M6	32	18	23
240163.*	ERM.44 p-M6x40.*	44	52	14.5	30	33	24.5	3.5	20.5	10	11	M6	40	18	24
240165.*	ERM.44 p-M6x50.*	44	52	14.5	30	33	24.5	3.5	20.5	10	11	M6	50	18	25

Standard Elements		Main dimensions										Thread		Teeth no.	\triangle/\triangle
Code	Description	R	L	D	H	H ₁	h ₁	h ₂	h ₃	d ₁	l ₁	d	l	z	g
240233.*	ERM.63 p-M6x12.*	63	73.5	18	38	41	31	3.5	27	13.5	13.5	M6	12	24	47
240235.*	ERM.63 p-M6x16.*	63	73.5	18	38	41	31	3.5	27	13.5	13.5	M6	16	24	49
240237.*	ERM.63 p-M6x20.*	63	73.5	18	38	41	31	3.5	27	13.5	13.5	M6	20	24	55
240239.*	ERM.63 p-M6x25.*	63	73.5	18	38	41	31	3.5	27	13.5	13.5	M6	25	24	57
240241.*	ERM.63 p-M6x32.*	63	73.5	18	38	41	31	3.5	27	13.5	13.5	M6	32	24	61
240243.*	ERM.63 p-M6x40.*	63	73.5	18	38	41	31	3.5	27	13.5	13.5	M6	40	24	68
240245.*	ERM.63 p-M6x50.*	63	73.5	18	38	41	31	3.5	27	13.5	13.5	M6	50	24	77
240247.*	ERM.63 p-M6x63.*	63	73.5	18	38	41	31	3.5	27	13.5	13.5	M6	63	24	79
240251.*	ERM.63 p-M8x12.*	63	73.5	18	38	41	31	3.5	27	13.5	13.5	M8	12	24	40
240253.*	ERM.63 p-M8x16.*	63	73.5	18	38	41	31	3.5	27	13.5	13.5	M8	16	24	41
240255.*	ERM.63 p-M8x20.*	63	73.5	18	38	41	31	3.5	27	13.5	13.5	M8	20	24	42
240257.*	ERM.63 p-M8x25.*	63	73.5	18	38	41	31	3.5	27	13.5	13.5	M8	25	24	43
240259.*	ERM.63 p-M8x32.*	63	73.5	18	38	41	31	3.5	27	13.5	13.5	M8	32	24	44
240261.*	ERM.63 p-M8x40.*	63	73.5	18	38	41	31	3.5	27	13.5	13.5	M8	40	24	46
240263.*	ERM.63 p-M8x50.*	63	73.5	18	38	41	31	3.5	27	13.5	13.5	M8	50	24	48
240265.*	ERM.63 p-M8x63.*	63	73.5	18	38	41	31	3.5	27	13.5	13.5	M8	63	24	51
240273.*	ERM.63 p-M10x20.*	63	73.5	18	38	41	31	3.5	27	13.5	13.5	M10	20	24	42
240275.*	ERM.63 p-M10x25.*	63	73.5	18	38	41	31	3.5	27	13.5	13.5	M10	25	24	43
240277.*	ERM.63 p-M10x32.*	63	73.5	18	38	41	31	3.5	27	13.5	13.5	M10	32	24	45
240279.*	ERM.63 p-M10x40.*	63	73.5	18	38	41	31	3.5	27	13.5	13.5	M10	40	24	47
240281.*	ERM.63 p-M10x50.*	63	73.5	18	38	41	31	3.5	27	13.5	13.5	M10	50	24	52
240283.*	ERM.63 p-M10x63.*	63	73.5	18	38	41	31	3.5	27	13.5	13.5	M10	63	24	53
240285.*	ERM.63 p-M10x80.*	63	73.5	18	38	41	31	3.5	27	13.5	13.5	M10	80	24	57
240333.*	ERM.78 p-M8x16.*	78	90.5	21.5	46	50	36	3.5	34.5	16	16	M8	16	26	70
240335.*	ERM.78 p-M8x20.*	78	90.5	21.5	46	50	36	3.5	34.5	16	16	M8	20	26	73
240337.*	ERM.78 p-M8x25.*	78	90.5	21.5	46	50	36	3.5	34.5	16	16	M8	25	26	76
240339.*	ERM.78 p-M8x32.*	78	90.5	21.5	46	50	36	3.5	34.5	16	16	M8	32	26	81
240341.*	ERM.78 p-M8x40.*	78	90.5	21.5	46	50	36	3.5	34.5	16	16	M8	40	26	86
240343.*	ERM.78 p-M8x50.*	78	90.5	21.5	46	50	36	3.5	34.5	16	16	M8	50	26	88
240345.*	ERM.78 p-M8x63.*	78	90.5	21.5	46	50	36	3.5	34.5	16	16	M8	63	26	94
240351.*	ERM.78 p-M10x16.*	78	90.5	21.5	46	50	36	3.5	34.5	16	16	M10	16	26	82
240353.*	ERM.78 p-M10x20.*	78	90.5	21.5	46	50	36	3.5	34.5	16	16	M10	20	26	85
240355.*	ERM.78 p-M10x25.*	78	90.5	21.5	46	50	36	3.5	34.5	16	16	M10	25	26	91
240357.*	ERM.78 p-M10x32.*	78	90.5	21.5	46	50	36	3.5	34.5	16	16	M10	32	26	98
240359.*	ERM.78 p-M10x40.*	78	90.5	21.5	46	50	36	3.5	34.5	16	16	M10	40	26	108
240361.*	ERM.78 p-M10x50.*	78	90.5	21.5	46	50	36	3.5	34.5	16	16	M10	50	26	120
240363.*	ERM.78 p-M10x63.*	78	90.5	21.5	46	50	36	3.5	34.5	16	16	M10	63	26	124
240365.*	ERM.78 p-M10x80.*	78	90.5	21.5	46	50	36	3.5	34.5	16	16	M10	80	26	127
240373.*	ERM.78 p-M12x25.*	78	90.5	21.5	46	50	36	3.5	34.5	16	16	M12	25	26	70
240375.*	ERM.78 p-M12x32.*	78	90.5	21.5	46	50	36	3.5	34.5	16	16	M12	32	26	73
240377.*	ERM.78 p-M12x40.*	78	90.5	21.5	46	50	36	3.5	34.5	16	16	M12	40	26	75
240379.*	ERM.78 p-M12x50.*	78	90.5	21.5	46	50	36	3.5	34.5	16	16	M12	50	26	79
240381.*	ERM.78 p-M12x63.*	78	90.5	21.5	46	50	36	3.5	34.5	16	16	M12	63	26	85
240383.*	ERM.78 p-M12x80.*	78	90.5	21.5	46	50	36	3.5	34.5	16	16	M12	80	26	88
240423.*	ERM.95 p-M10x16.*	95	109	25	56	61	43	5	42	19	18	M10	16	28	111
240425.*	ERM.95 p-M10x20.*	95	109	25	56	61	43	5	42	19	18	M10	20	28	113
240427.*	ERM.95 p-M10x25.*	95	109	25	56	61	43	5	42	19	18	M10	25	28	115
240429.*	ERM.95 p-M10x32.*	95	109	25	56	61	43	5	42	19	18	M10	32	28	118
240431.*	ERM.95 p-M10x40.*	95	109	25	56	61	43	5	42	19	18	M10	40	28	121
240433.*	ERM.95 p-M10x50.*	95	109	25	56	61	43	5	42	19	18	M10	50	28	128
240435.*	ERM.95 p-M10x63.*	95	109	25	56	61	43	5	42	19	18	M10	63	28	133
240437.*	ERM.95 p-M10x80.*	95	109	25	56	61	43	5	42	19	18	M10	80	28	141
240447.*	ERM.95 p-M12x16.*	95	109	25	56	61	43	5	42	19	18	M12	16	28	113
240449.*	ERM.95 p-M12x20.*	95	109	25	56	61	43	5	42	19	18	M12	20	28	117
240451.*	ERM.95 p-M12x25.*	95	109	25	56	61	43	5	42	19	18	M12	25	28	122
240453.*	ERM.95 p-M12x32.*	95	109	25	56	61	43	5	42	19	18	M12	32	28	125
240455.*	ERM.95 p-M12x40.*	95	109	25	56	61	43	5	42	19	18	M12	40	28	132
240457.*	ERM.95 p-M12x50.*	95	109	25	56	61	43	5	42	19	18	M12	50	28	141
240459.*	ERM.95 p-M12x63.*	95	109	25	56	61	43	5	42	19	18	M12	63	28	151
240461.*	ERM.95 p-M12x80.*	95	109	25	56	61	43	5	42	19	18	M12	80	28	160
240473.*	ERM.95 p-M16x25.*	95	109	25	56	61	43	5	42	19	18	M16	25	28	139
240475.*	ERM.95 p-M16x32.*	95	109	25	56	61	43	5	42	19	18	M16	32	28	146
240477.*	ERM.95 p-M16x40.*	95	109	25	56	61	43	5	42	19	18	M16	40	28	154
240479.*	ERM.95 p-M16x50.*	95	109	25	56	61	43	5	42	19	18	M16	50	28	171
240481.*	ERM.95 p-M16x63.*	95	109	25	56	61	43	5	42	19	18	M16	63	28	184
240483.*	ERM.95 p-M16x80.*	95	109	25	56	61	43	5	42	19	18	M16	80	28	199

* Complete the code and the description of the standard item needed by adding the index of the colour of the lever body (C2,C6,C8,C9), ex: 240103-C2 ERM.44 p-M4x12-C2