

# ESW+I

ELESA original design

## Solid handwheels with revolving handle

- **High impact strength polypropylene based (PP) technopolymer.**  
Resistant to solvents, oils, greases and other chemical agents.
- **Grey-black** standard colour with matte finish.
- Black oxide **steel boss** with standard reamed hole, tolerance H7.
- Polyamide based (PA) technopolymer press-fit **boss cap** (ECB.S) in one of the Ergostyle colours with matte finish. Supplied not assembled. Removable with screwdriver.
- Polypropylene based (PP) technopolymer **revolving handle**, type ECH+x (page 326). Two-volume design provides the fingers with a safe and ergonomic grip, preventing them from slipping off. The semi-spherical end cap fits comfortably in the palm of the hand.
- Internal rear **lobes**.
- **Axial retaining washer** (on request), type GN 184 (page 452).

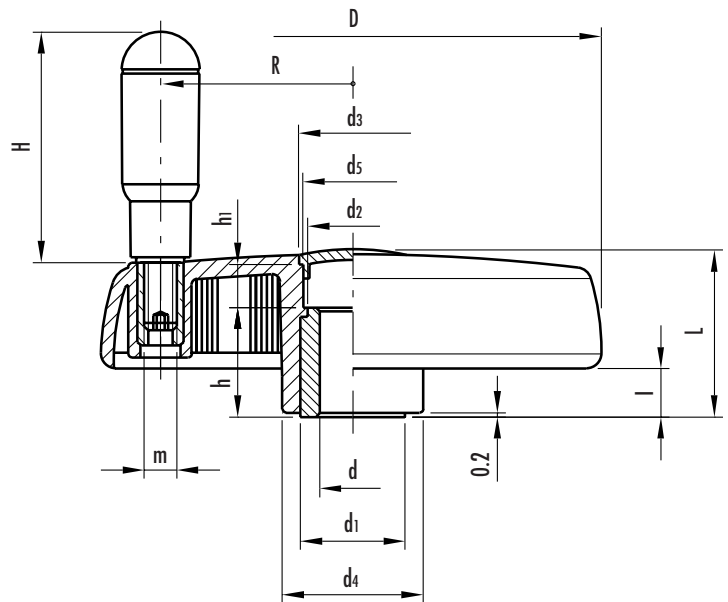
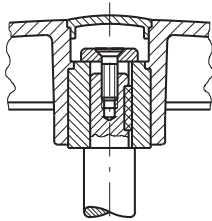


See Technical Data for maximum applicable torque (C) and impact strength (I).

When ordering please complete the code and the description of the element needed specifying the colour of the boss cap (see the available colours shown above the dimensions table).

Sample order:  
207241 - C4 ESW.125+I A-12 - C4  
Handwheel with yellow boss cap

Assembly example with key and axial set screw.



The boss caps are also available as accessories sold in one of the Ergostyle colours. When ordering the boss cap, please complete its code (2959) and basic description (ECB.S) with the indexes of the dimension and colour.

Sample order for boss caps:  
2959 [3] - [C4] ECB.S3 - C4 = yellow boss cap for handwheel ESW.150+I

2 = ESW.125	C1 = GREY-BLACK
3 = ESW.150	C2 = ORANGE
4 = ESW.175	C3 = GREY
	C4 = YELLOW
	C5 = LIGHT-BLUE
	C6 = RED

C 1: RAL 7021 C 2: RAL 2004 C 3: RAL 7035 C 4: RAL 1021 C 5: RAL 5024 C 6: RAL 3000



Standard elements		Main dimensions									Bore		Handle		C	L	Weight	
Code ▲	Description ▲	D	L	I	d1	d2	d3	d4	d5	h1	d h7	h	H	m	R	[N·m]	[J]	grams
207241 -	ESW.125+I A-12 -	125	42.5	11	26	24	31	35	29	13.5	12	27	65	M6	47	125	25	245
207251 -	ESW.150+I A-14 -	150	47.5	12	26	24	34	38	32	15.5	14	30	73	M8	57	180	26	350
207261 -	ESW.175+I A-16 -	176	52.5	13	35	33	39	44	36	22.5	16	28	86	M10	70	195	26	475

▲ Complete the code and the description of the standard item needed specifying the index of the colour of the boss cap.