

ETW+IR

ELESA original design

Two-spoke handwheels with fold-away handle

- **High impact strength polypropylene based (PP) technopolymer.**

Resistant to solvents, oils, greases and other chemical agents.

- **Grey-black** standard colour with matte finish.

- Black oxide **steel boss** with standard reamed hole, tolerance H7.

- Polyamide based (PA) technopolymer press-fit **boss cap** (ECB.T) in one of the Ergostyle colours with matte finish. Supplied not assembled. Removable with screwdriver.

- Polypropylene based (PP) technopolymer fold-away **handle**, type EFH (page 327). Two-volume design provides the fingers with a safe and ergonomic grip, preventing them from slipping off. The semi-spherical end cap fits comfortably in the palm of the hand.

- Ergonomically designed **rim** for a safer and more comfortable grip.

- **Axial retaining washer** (on request), type GN 184 (page 452).



See Technical Data for maximum applicable torque (C) and impact strength (L)

When ordering please complete the code and the description of the element needed specifying the colour of the boss cap (see the available colours shown above the dimensions table).

Sample order:

205441 - C4 ETW.125+IR A-12 - C4

Handwheel with yellow boss cap

5

288

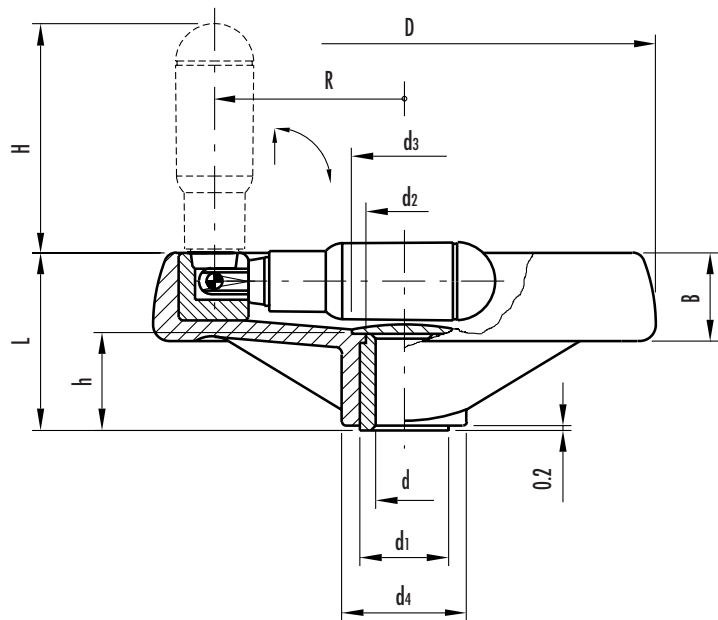
Ergostyle

The boss caps are also available as accessories sold in one of the Ergostyle colours. When ordering the boss cap, please complete its code (2955) and basic description (ECB.T) with the indexes of the dimension and colour.

Sample order for boss caps:

2 9 5 5 **3** - **C4** ECB.T3 - C4 = yellow boss cap for handwheel ETW.160+IR

2= ETW.125	C1= GREY-BLACK
3= ETW.160	C2= ORANGE
4= ETW.200	C3= GREY
	C4= YELLOW
	C5= LIGHT-BLUE
	C6= RED



C 1: RAL 7021 C 2: RAL 2004 C 3: RAL 7035 C 4: RAL 1021 C 5: RAL 5024 C 6: RAL 3000



Standard elements		Main dimensions							Bore		Handle		C	L	Weight
Code ▲	Description ▲	D	L	B	d1	d2	d3	d4	d H7	h	H	R	[N·m]	[J]	grams
205441 -	ETW.125+IR A-12 -	124	44	22	22	20	26	31	12	22	73	48	94	10	210
205451 -	ETW.160+IR A-14 -	160	51	25	26	24	31.5	40	14	27	86	65	185	15	375
205461 -	ETW.200+IR A-20 -	200	61	28	30	28	36	50	20	34	95	84	300	24	540

▲ Complete the code and the description of the standard item needed specifying the index of the colour of the boss cap.



"ELESA" and "GANTERGRIF" models all rights reserved in accordance with the law. Always mention the source when reproducing our drawings.