

NDX.T

Round end-caps



- **Material**

Glass-fibre reinforced polyamide based (PA) technopolymer. Resistant to solvents, oils, greases and other chemical agents.

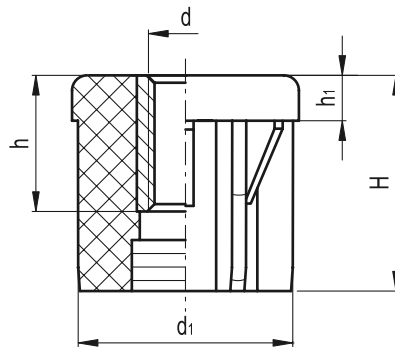
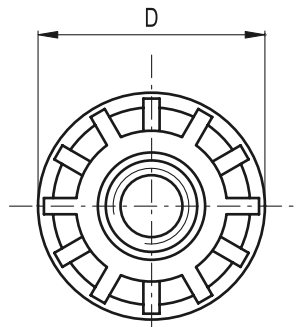
- **Colour**

Black, matte finish.

- **Boss**

Brass boss, tapped through hole.

M24 nickel-plated brass, tapped through hole.



10

154

Technical components

Standard Elements		Main dimensions				Mounting hole		Tube dimensions			△△
Code	Description	D	H	h ₁	d ₁	d	h	External	Tickness	Internal	g
320231	NDX.T-30x1-M8	30	31	6	28	M8	10	30	1	28	24
320232	NDX.T-30x1-M10	30	31	6	28	M10	10	30	1	28	24
320233	NDX.T-30x1-M12	30	31	6	28	M12	10	30	1	28	24
320234	NDX.T-30x1-M14	30	31	6	28	M14	15	30	1	28	26
320235	NDX.T-30x1-M16	30	31	6	28	M16	15	30	1	28	26
320241	NDX.T-30x1.5-M8	30	31	6	27	M8	10	30	1.5	27	24
320242	NDX.T-30x1.5-M10	30	31	6	27	M10	10	30	1.5	27	24
320243	NDX.T-30x1.5-M12	30	31	6	27	M12	10	30	1.5	27	24
320244	NDX.T-30x1.5-M14	30	31	6	27	M14	15	30	1.5	27	26
320245	NDX.T-30x1.5-M16	30	31	6	27	M16	15	30	1.5	27	26
320251#	NDX.T-30x2-M8	30	31	6	26	M8	10	30	2	26	24
320252#	NDX.T-30x2-M10	30	31	6	26	M10	10	30	2	26	24
320253#	NDX.T-30x2-M12	30	31	6	26	M12	10	30	2	26	24
320254#	NDX.T-30x2-M14	30	31	6	26	M14	15	30	2	26	26
320255#	NDX.T-30x2-M16	30	31	6	26	M16	15	30	2	26	26
320261#	NDX.T-30x2.5-M8	30	31	6	25	M8	10	30	2.5	25	24
320262#	NDX.T-30x2.5-M10	30	31	6	25	M10	10	30	2.5	25	24
320263#	NDX.T-30x2.5-M12	30	31	6	25	M12	10	30	2.5	25	24
320264#	NDX.T-30x2.5-M14	30	31	6	25	M14	15	30	2.5	25	26
320265#	NDX.T-30x2.5-M16	30	31	6	25	M16	15	30	2.5	25	26
320271	NDX.T-38x1.5-M8	38	38	8	35	M8	10	38	1.5	35	32
320272	NDX.T-38x1.5-M10	38	38	8	35	M10	10	38	1.5	35	32
320273	NDX.T-38x1.5-M12	38	38	8	35	M12	10	38	1.5	35	32
320274	NDX.T-38x1.5-M14	38	38	8	35	M14	15	38	1.5	35	34
320275	NDX.T-38x1.5-M16	38	38	8	35	M16	15	38	1.5	35	34
320282	NDX.T-38x2-M10	38	38	8	34	M10	10	38	2	34	32
320283	NDX.T-38x2-M12	38	38	8	34	M12	10	38	2	34	32
320284	NDX.T-38x2-M14	38	38	8	34	M14	15	38	2	34	34
320285	NDX.T-38x2-M16	38	38	8	34	M16	15	38	2	34	34
320292#	NDX.T-38x2.5-M10	38	38	8	33	M10	10	38	2.5	33	32
320293#	NDX.T-38x2.5-M12	38	38	8	33	M12	10	38	2.5	33	32
320294#	NDX.T-38x2.5-M14	38	38	8	33	M14	15	38	2.5	33	34
320295#	NDX.T-38x2.5-M16	38	38	8	33	M16	15	38	2.5	33	34

Standard Elements		Main dimensions				Mounting hole		Tube dimensions			⚖
Code	Description	D	H	h ₁	d ₁	d	h	External	Tickness	Internal	g
320301	NDX.T-42.4x1.5-M8	42	38	8	39.4	M8	10	42.4	1.5	39.4	44
320302	NDX.T-42.4x1.5-M10	42	38	8	39.4	M10	10	42.4	1.5	39.4	44
320303	NDX.T-42.4x1.5-M12	42	38	8	39.4	M12	10	42.4	1.5	39.4	44
320304	NDX.T-42.4x1.5-M14	42	38	8	39.4	M14	15	42.4	1.5	39.4	46
320305	NDX.T-42.4x1.5-M16	42	38	8	39.4	M16	15	42.4	1.5	39.4	46
320306	NDX.T-42.4x1.5-M20	42	38	8	39.4	M20	20	42.4	1.5	39.4	42
320312	NDX.T-42.4x2-M10	42	38	8	38.4	M10	10	42.4	2	38.4	44
320313	NDX.T-42.4x2-M12	42	38	8	38.4	M12	10	42.4	2	38.4	44
320314	NDX.T-42.4x2-M14	42	38	8	38.4	M14	15	42.4	2	38.4	46
320315	NDX.T-42.4x2-M16	42	38	8	38.4	M16	15	42.4	2	38.4	46
320316	NDX.T-42.4x2-M20	42	38	8	38.4	M20	20	42.4	2	38.4	42
320322#	NDX.T-42.4x2.5-M10	42	38	8	37.4	M10	10	42.4	2.5	37.4	44
320323#	NDX.T-42.4x2.5-M12	42	38	8	37.4	M12	10	42.4	2.5	37.4	44
320324#	NDX.T-42.4x2.5-M14	42	38	8	37.4	M14	15	42.4	2.5	37.4	46
320325#	NDX.T-42.4x2.5-M16	42	38	8	37.4	M16	15	42.4	2.5	37.4	46
320326#	NDX.T-42.4x2.5-M20	42	38	8	37.4	M20	20	42.4	2.5	37.4	42
320331	NDX.T-48.3x1.5-M8	48	45	10	45.3	M8	10	48.3	1.5	45.3	50
320332	NDX.T-48.3x1.5-M10	48	45	10	45.3	M10	10	48.3	1.5	45.3	50
320333	NDX.T-48.3x1.5-M12	48	45	10	45.3	M12	10	48.3	1.5	45.3	50
320334	NDX.T-48.3x1.5-M14	48	45	10	45.3	M14	15	48.3	1.5	45.3	52
320335	NDX.T-48.3x1.5-M16	48	45	10	45.3	M16	15	48.3	1.5	45.3	52
320336	NDX.T-48.3x1.5-M20	48	45	10	45.3	M20	20	48.3	1.5	45.3	48
320343	NDX.T-48.3x2-M12	48	38	10	44.3	M12	10	48.3	2	44.3	50
320344	NDX.T-48.3x2-M14	48	45	10	44.3	M14	15	48.3	2	44.3	52
320345	NDX.T-48.3x2-M16	48	45	10	44.3	M16	15	48.3	2	44.3	52
320346	NDX.T-48.3x2-M20	48	45	10	44.3	M20	20	48.3	2	44.3	48
320353	NDX.T-48.3x2.5-M12	48	45	10	43.3	M12	10	48.3	2.5	43.3	50
320354	NDX.T-48.3x2.5-M14	48	45	10	43.3	M14	15	48.3	2.5	43.3	52
320355	NDX.T-48.3x2.5-M16	48	45	10	43.3	M16	15	48.3	2.5	43.3	52
320356	NDX.T-48.3x2.5-M20	48	45	10	43.3	M20	20	48.3	2.5	43.3	48
320363	NDX.T-50.9x1.5-M12	50.5	45	10	47.9	M12	10	50.9	1.5	47.9	64
320364	NDX.T-50.9x1.5-M14	50.5	45	10	47.9	M14	15	50.9	1.5	47.9	64
320365	NDX.T-50.9x1.5-M16	50.5	45	10	47.9	M16	15	50.9	1.5	47.9	63
320366	NDX.T-50.9x1.5-M20	50.5	45	10	47.9	M20	20	50.9	1.5	47.9	63
320373	NDX.T-50.9x2-M12	50.5	45	10	46.9	M12	10	50.9	2	46.9	63
320374	NDX.T-50.9x2-M14	50.5	45	10	46.9	M14	15	50.9	2	46.9	63
320375	NDX.T-50.9x2-M16	50.5	45	10	46.9	M16	15	50.9	2	46.9	63
320376	NDX.T-50.9x2-M20	50.5	45	10	46.9	M20	20	50.9	2	46.9	62
320383#	NDX.T-50.9x2.5-M12	50.5	45	10	45.9	M12	10	50.9	2.5	45.9	64
320384#	NDX.T-50.9x2.5-M14	50.5	45	10	45.9	M14	15	50.9	2.5	45.9	64
320385#	NDX.T-50.9x2.5-M16	50.5	45	10	45.9	M16	15	50.9	2.5	45.9	63
320386#	NDX.T-50.9x2.5-M20	50.5	45	10	45.9	M20	20	50.9	2.5	45.9	63
320391	NDX.T-60.3x1.5-M8	60	52	12	57.3	M8	10	60.3	1.5	57.3	92
320392	NDX.T-60.3x1.5-M10	60	52	12	57.3	M10	10	60.3	1.5	57.3	92
320393	NDX.T-60.3x1.5-M12	60	52	12	57.3	M12	10	60.3	1.5	57.3	92
320394	NDX.T-60.3x1.5-M14	60	52	12	57.3	M14	15	60.3	1.5	57.3	94
320395	NDX.T-60.3x1.5-M16	60	52	12	57.3	M16	15	60.3	1.5	57.3	94
320396	NDX.T-60.3x1.5-M20	60	52	12	57.3	M20	20	60.3	1.5	57.3	92
320397	NDX.T-60.3x1.5-M24	60	52	12	57.3	M24	20	60.3	1.5	57.3	92
320401	NDX.T-60.3x2-M8	60	52	12	56.3	M8	10	60.3	2	56.3	92
320402	NDX.T-60.3x2-M10	60	52	12	56.3	M10	10	60.3	2	56.3	92
320403	NDX.T-60.3x2-M12	60	52	12	56.3	M12	10	60.3	2	56.3	92
320404	NDX.T-60.3x2-M14	60	52	12	56.3	M14	15	60.3	2	56.3	94
320405	NDX.T-60.3x2-M16	60	52	12	56.3	M16	15	60.3	2	56.3	94
320406	NDX.T-60.3x2-M20	60	52	12	56.3	M20	20	60.3	2	56.3	94
320407	NDX.T-60.3x2-M24	60	52	12	56.3	M24	20	60.3	2	56.3	92
320411	NDX.T-60.3x2.5-M8	60	52	12	55.3	M8	10	60.3	2.5	55.3	92
320412	NDX.T-60.3x2.5-M10	60	52	12	55.3	M10	10	60.3	2.5	55.3	92
320413	NDX.T-60.3x2.5-M12	60	52	12	55.3	M12	10	60.3	2.5	55.3	92
320414	NDX.T-60.3x2.5-M14	60	52	12	55.3	M14	15	60.3	2.5	55.3	94
320415	NDX.T-60.3x2.5-M16	60	52	12	55.3	M16	15	60.3	2.5	55.3	94
320416	NDX.T-60.3x2.5-M20	60	52	12	55.3	M20	20	60.3	2.5	55.3	92
320417	NDX.T-60.3x2.5-M24	60	52	12	55.3	M24	20	60.3	2.5	55.3	92

On request and for sufficient quantities.