

VCK.

ELESA original design

Latch-type knobs

- **Black phenolic-based (PF) Duroplast VC.192 type knob.**
Resistant to solvents, oils, greases and other chemical agents.
- Zinc-plated **steel stud.**
- Sintered and oxidised steel **helical latch** with partly machined hole for pinning.
- \varnothing 3x20 mm DIN 1481 burnished steel **spring dowel pin** (standard accessory).
- Zinc-plated steel **latch spring** to compensate door thickness.
- **Types -D and -S** for opening to the right or to the left.
- **Type VCK+G:** for assembly with $S \leq 5$ mm (except type with $L = 24$ mm), knob comes complete with GRUPPO GHIERA VCK (15201):
 - nickel-plated brass **guide bush**
 - nickel-plated brass **nut**
 - zinc-plated steel **washer.**



Supplied unassembled to allow fitment on different door thickness.

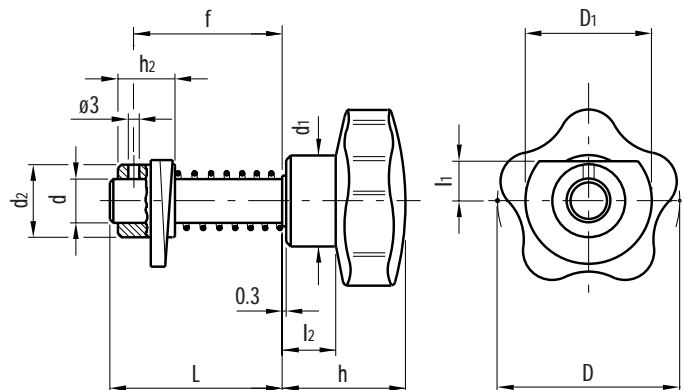
Selection of the available latch lengths L:

L	Door thickness $S \leq 5$ mm			Door thickness $S > 5$ mm		
	$S+b \geq$	$S+b \leq$	Door drilling \varnothing H9	$S+b \geq$	$S+b \leq$	Door drilling \varnothing H9
24	-	-	-	5	11	12
46	25	28.5	16	13	31	12
54	28	36.5	16	15	39	12
64	30	46.5	16	17	49	12

b = wall thickness.

distance from knob base to pinning centre of latch:

- $f = S + b + 11$ for assembly with guide bush ($S \leq 5$ mm)
- $f = S + b + 8.5$ for direct assembly ($S > 5$ mm).



Standard elements		Main dimensions						Latch dimensions				Weight
Code	Description	D	h	d	d1	l2	L	D1	d2	h2	l1	grams
68301	VCK.362/50-0-D						24					140
68302	VCK.362/50-0-S						24					140
68321	VCK.362/50-1-D	50	33	12	25	14	46	45	20	15	12	165
68322	VCK.362/50-1-S						46					165
68331	VCK.362/50-1+G-D						46					190
68332	VCK.362/50-1+G-S						46					190
68421	VCK.362/60-1-D						46					185
68422	VCK.362/60-1-S						46					185
68431	VCK.362/60-1+G-D						46					210
68432	VCK.362/60-1+G-S						46					210
68441	VCK.362/60-2-D						54					200
68442	VCK.362/60-2-S						54					200
68451	VCK.362/60-2+G-D	60	37	12	27	17	54	45	20	15	12	225
68452	VCK.362/60-2+G-S						54					225
68461	VCK.362/60-3-D						64					210
68462	VCK.362/60-3-S						64					210
68471	VCK.362/60-3+G-D						64					235
68472	VCK.362/60-3+G-S						64					235
68521	VCK.362/70-2-D						54					235
68522	VCK.362/70-2-S						54					235
68531	VCK.362/70-2+G-D						54					260
68532	VCK.362/70-2+G-S						54					260
68541	VCK.362/70-3-D	70	44	12	30	20	64	45	20	15	12	245
68542	VCK.362/70-3-S						64					245
68551	VCK.362/70-3+G-D						64					270
68552	VCK.362/70-3+G-S						64					270



Latch-type knobs

- **Black phenolic-based (PF) Duroplast VC.192 type knob.**
Resistant to solvents, oils, greases and other chemical agents.
- **AISI 303 stainless steel stud.**
- **Sintered AISI 316 L stainless steel helical latch** with partly machined hole for pinning.
- **Ø 3x20 mm AISI 303 stainless steel spring dowel pin** (standard accessory).
- **AISI 302 stainless steel latch spring** to compensate door thickness.
- **Types -D and -S** for opening to the right or to the left.
- **Type VCK+G INOX:** for assembly with $S \leq 5$ mm, knob comes complete with GRUPPO GHIERA INOX VCK (15211):
 - AISI 303 stainless steel **guide bush**
 - AISI 303 stainless steel **nut**
 - AISI 303 stainless steel **washer**.

Supplied unassembled to allow fitment on different door thickness.

Selection of the available latch lengths L:

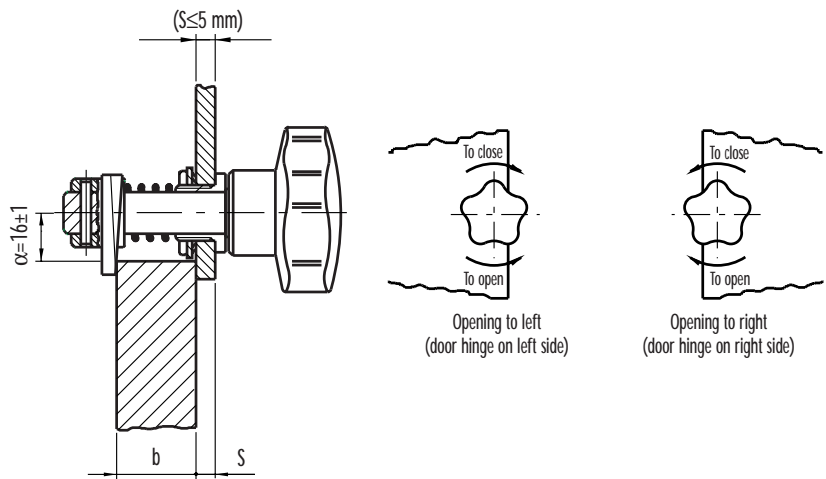
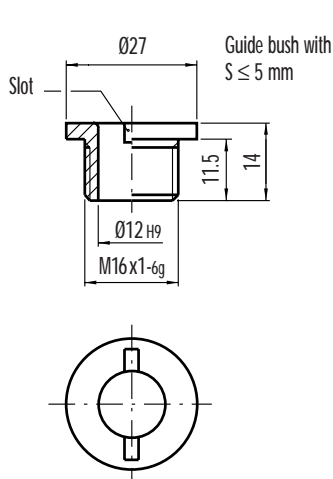
L	Door thickness $S \leq 5$ mm			Door thickness $S > 5$ mm		
	$S+b \geq$	$S+b \leq$	Door drilling $\varnothing H9$	$S+b \geq$	$S+b \leq$	Door drilling $\varnothing H9$
46	25	28.5	16	13	31	12
64	30	46.5	16	17	49	12

b = wall thickness

distance from knob base to pinning centre of latch:

- f = S + b + 11 for assembly with guide bush ($S \leq 5$ mm)

- f = S + b + 8.5 for direct assembly ($S > 5$ mm)



Standard elements		Main dimensions						Latch dimensions				Weight
Code	Description	D	h	d	d1	l2	L	D1	d2	h2	l1	grams
68325	VCK.362/50-1-D-INOX	50	33	12	25	14	46	45	20	15	12	165
68326	VCK.362/50-1-S-INOX											165
68335	VCK.362/50-1+G-D-INOX											190
68336	VCK.362/50-1+G-S-INOX											190
68425	VCK.362/60-1-D-INOX	60	37	12	27	17	64	45	20	15	12	185
68426	VCK.362/60-1-S-INOX											185
68435	VCK.362/60-1+G-D-INOX											210
68436	VCK.362/60-1+G-S-INOX											210
68465	VCK.362/60-3-D-INOX											210
68466	VCK.362/60-3-S-INOX											210
68475	VCK.362/60-3+G-D-INOX											235
68476	VCK.362/60-3+G-S-INOX											235