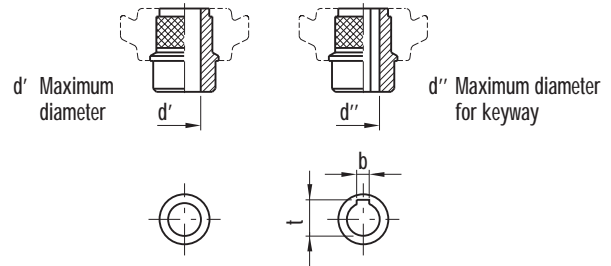


Solid handwheels with safety fold-away handle



- **High strength, reinforced phenolic-based (PF) Duroplast.** Resistant to solvents, oils, greases and other chemical agents.
- **Black** standard colour with glossy finish.
- Black oxide **steel hub** with uncovered front end not drilled. See table for maximum permissible boring diameters d' and d'' .

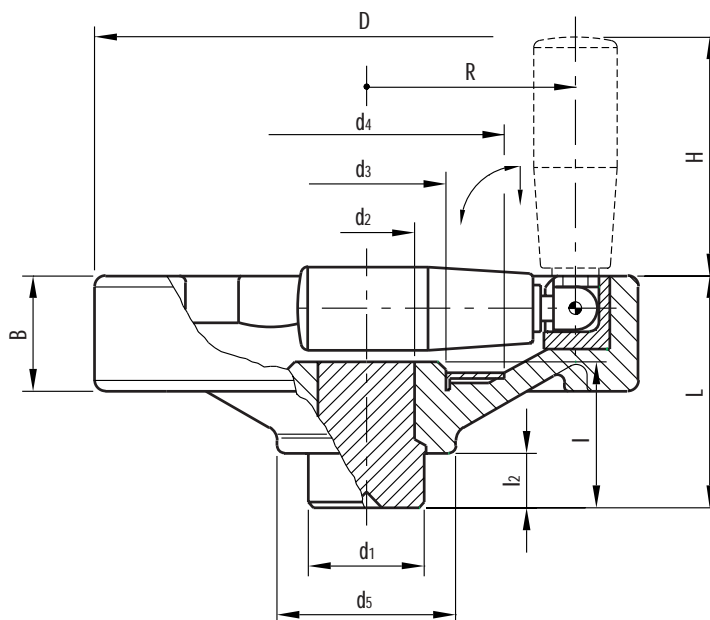


- Matte anodised **aluminium ring** (ELESA original design) useful for engraving marks, words, arrows...
- High-impact strength polypropylene based (PP) technopolymer Fold-O-matic® **safety fold-away handle** type IRS.802.
- **Rim** with front and rear finger grips to grip and turn handwheel more easily even from side positions.
- **Axial retaining washer** (on request) type GN 184 (page 452).

Special type VDO.FP+IRS+W with counterweights for diameters from \varnothing 175 to \varnothing 250 mm are available.



This product has been selected for its design by the international jury of "Die gute Industrieform-Hannover 1980"



See Technical Data for maximum applicable torque (C) and impact strength (L).

Standard elements		Main dimensions										Handle		Boring diameters				C	L	Weight
Code	Description	D	L	B	d1	d2	d3	d4	d5	l	l2	H	R	d'	d''	t	b	[N·m]	[J]	grams
72151	VDO.150 FP+IRS	150	63	32	32	24	44	70	48	38	15	68	58	20	16	18.3	5	480	30	755
72251	VDO.175 FP+IRS	178	65	32	40	31	55	90	56	43	15	80	66	26	22	24.8	6	730	40	1120
72351	VDO.200 FP+IRS	201	70	34	40	31	55	90	60	43	15	90	77	26	22	24.8	6	1060	42	1315
72451	VDO.225 FP+IRS	227	74	35	49	38	66	110	66	44	15	90	99	34	27	30.3	8	1340	45	1740
72531	VDO.250 FP+IRS	249	77	36	49	38	66	110	70	44	15	90	101	34	27	30.3	8	1700	46	1960