

## Solid handwheels with revolving handle

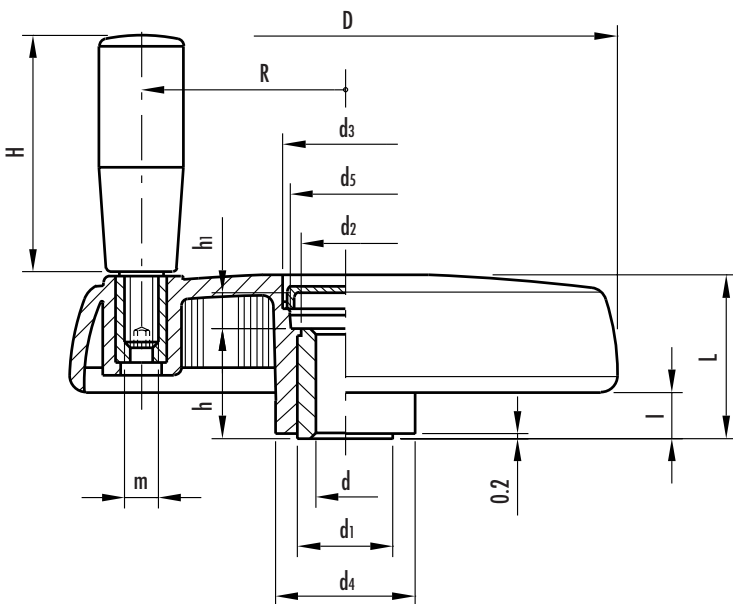
- **High-impact strength polypropylene-based (PP) technopolymer.**  
Resistant to solvents, oils, greases and other chemical agents.
- **Black** standard colour with matte finish.
- Black oxide **steel boss** with standard H7 tolerance reamed holes.
- Light grey acetal-resin based (POM) technopolymer push-fit **boss cap** removable by pressing on outer edge.
- Technopolymer **revolving handle**:  
type I.601+x (page 268)  
type IEL.+x (page 248).
- **Rear finger grips.**
- **Axial retaining washer** (on request) type GN 184 (page 452).



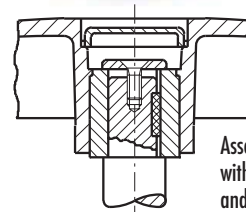
This product has been selected for its design by the international jury of "Die gute Industrieform-Hannover 1985"



This product has been selected for its design by the international jury of "XIV PREMIO Compasso d'oro-Milano 1987"



Type VDS+IEL



Assembly example with key and axial set screw

See Technical Data for maximum applicable torque (C) and impact strength (L).

Standard elements		Main dimensions									Bore		Handle			C	L	Weight
Code	Description	D	L	l	d1	d2	d3	d4	d5	h1	d H7	h	H	m	R	[N·m]	[J]	grams
72651 72652	VDS.80+I A-8 VDS.80+I A-10	83	29	9	18	16	21	26	19	8	8 10	17	40	M6	30.5	34	6	106 108
72671 72672	VDS.100+I A-10 VDS.100+I A-12	102	34	10	22	20	27	30	25	9	10 12	22	50	M6	39	60	13	174 168
72701 72702	VDS.125+I A-12 VDS.125+I A-14	125	39	11	26	24	31	35	28	8	12 14	27	56	M6	49	125	25	270 258
72751 72752	VDS.150+I A-14 VDS.150+I A-16	150	44	12	26	24	34	38	30	10	14 16	30	65	M8	58	180	26	379 359
72801 72802	VDS.175+I A-16 VDS.175+I A-20	176	49	13	35	33	39	44	35	16	16 20	28	80	M10	70	195	26	500 470
72851 72852	VDS.200+I A-20 VDS.200+I A-24	200	53	14	40	38	44	50	40	13	20 24	36	90	M10	81	320	27	674 634
72911	VDS.250+I A-20	250	60	17	40	38	50	57	48	19	20	36	90	M10	104	500	30	934
72961	VDS.300+I A-20	300	66	20	40	36.5	68.5	72	66	20	20	44	90	M10	124	500	30	1260
72966	VDS.300+IEL A-20	300	66	20	40	36.5	68.5	72	66	20	20	44	65	M10	124	500	30	1270