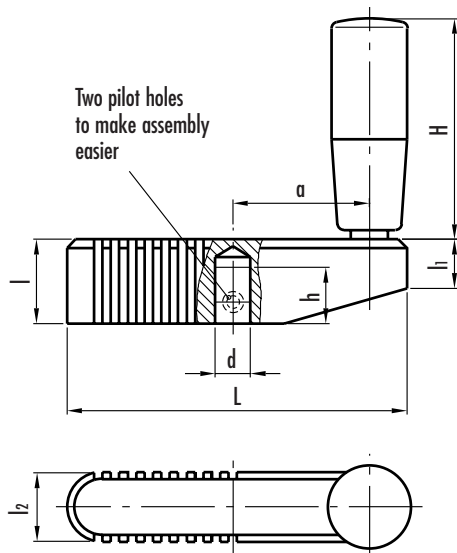


## Balanced handles

- **Zinc alloy die-cast** RAL 9005 black epoxy resin coating with matte finish.
- **Hub** with standard H7 tolerance reamed blind hole
- Black polyamide based (PA) technopolymer **revolving handle**. Resistant to solvents, oils, greases and other chemical agents.



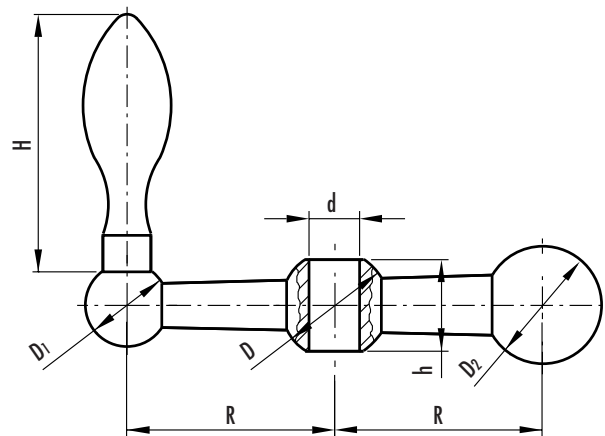
This product has been selected for its design by the international jury of "Die gute Industrieform-Hannover 1987"



Standard elements	Main dimensions					Mounting hole		Handle		Weight	
Description	L	l	l1	l2	a	d	H7	h	H	Ø	grams
GN 112.1-70-S8	70	19	11.5	17	26.5	8	12	42.5	18	125	
GN 112.1-80-S8	80	21	12.5	18	31	8	12	52.5	21	170	
GN 112.1-90-S10	90	23	13.5	19	35.5	10	15	52.5	21	251	
GN 112.1-100-S10	100	25	14	20	40	10	17	67.5	23	290	
GN 112.1-100-S12	100	25	14	20	40	12	17	67.5	23	285	

## Tri-ball handles

- **Black-oxide turned steel arm.**
- **Passing through hole** with H7 tolerance.
- Available with DIN 39 steel fixed handle (see page 271).



Standard elements	Main dimensions				Mounting hole		Handle			Weight
Description	D	D1	D2	h	d	H7	H	Ø	R	grams
GN 10-100-B7-F	16	13	18	13	7		32	10	25	60
GN 10-101-B8-F	19	15	20	17	8		40	13	28	102
GN 10-102-B8-F	20	16	22	17	8		45	14	34	136
GN 10-103-B10-F	23	18	25	19.5	10		50	16	41	194
GN 10-104-B12-F	26	20	28	21.5	12		56	18	50	283