

GN 321

Solid handwheels

- **Cast aluminium.**
- **Turned and mirror-polished rim.** The other surfaces are matte finish fine sandblasted.
- **Hub** with:
 - B** = standard H7 tolerance plain bore
 - K** = standard H7 tolerance reamed bore with DIN 6885/1 P9 keyway (see table on page 669).
- **Axial retaining washer** (on request) type GN 184 (page 452).
- Axial and radial runout lower than IT 12.

GN 321 solid handwheels are available with GN 000.4 or GN 000.5 safety coupling bushings already assembled (see page 86 GN 321.4 and see page 88 GN 321.5).

For fixing GN 321 on shafts by a grub screw see GN 110 drilling technical information on page 668.

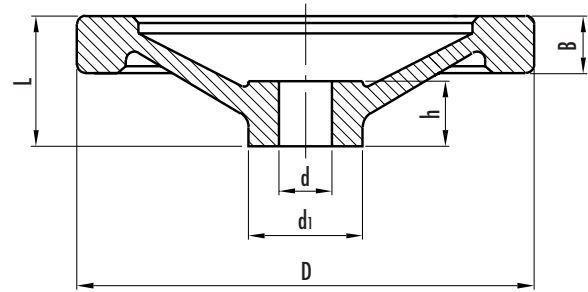


This product has been selected for its design by the international jury of "Die gute Industrieform-Hannover 1980"

design80



This product has been selected for its design by the international jury of "Design 1980-Stuttgart"



Standard elements	Main dimensions				Bore			Weight grams
	Description	D	L	B	d1	d H7	h	
GN 321-80-B10-A	80	26	13	26	10	16	•	134
GN 321-80-B12-A					12			127
GN 321-80-K10-A					10			132
GN 321-80-K12-A					12			125
GN 321-100-B10-A	100	30	14	28	10	17	•	215
GN 321-100-B12-A					12			213
GN 321-100-K10-A					10			213
GN 321-100-K12-A					12			211
GN 321-125-B12-A	125	33	15	31	12	18	•	318
GN 321-125-B14-A					14			298
GN 321-125-K12-A					12			316
GN 321-125-K14-A					14			290
GN 321-140-B14-A	140	36	16.5	36	14	19	•	431
GN 321-140-B16-A					16			427
GN 321-140-K14-A					14			425
GN 321-140-K16-A					16			429
GN 321-160-B14-A	160	39	18	36	14	20	•	570
GN 321-160-B16-A					16			560
GN 321-160-K14-A					14			566
GN 321-160-K16-A					16			556
GN 321-200-B18-A	200	45	20.5	45	18	24	•	885
GN 321-200-B20-A					20			884
GN 321-200-K18-A					18			880
GN 321-200-K20-A					20			860
GN 321-250-B22-A	250	51	23	48	22	28	•	1522
GN 321-250-B26-A					26			1479
GN 321-250-K22-A					22			1517
GN 321-250-K26-A					26			1474

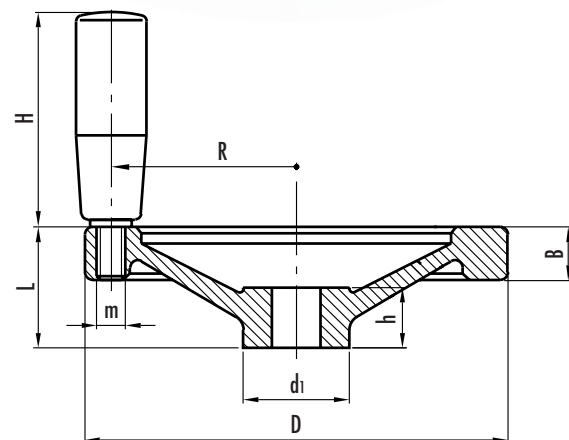


Solid handwheels with revolving handle

- **Cast aluminium.**
- **Turned and mirror polished rim.** The other surfaces are matte finish fine sandblasted.
- **Hub** with:
 - B** = standard H7 tolerance plain bore
 - K** = standard H7 tolerance reamed bore with DIN 6885/1 P9 keyway (see table on page 669).
- **Axial retaining washer** (on request) type GN 184 (page 452).
- Axial and radial runout lower than IT 12.
- Black phenolic-based (PF) Duroplast **revolving handle.** Resistant to solvents, oils, greases and other chemical agents.

GN 321 solid handwheels are available with GN 000.4 or GN 000.5 safety coupling bushings already assembled (see page 87 GN 321.4 and see page 89 GN 321.5).

For fixing GN 321 on shafts by a grub screw see GN 110 drilling technical information on page 668.



This product has been selected for its design by the international jury of "Die gute Industrieform-Hannover 1980"

design'80



This product has been selected for its design by the international jury of "Design 1980-Stuttgart"

Standard elements	Main dimensions				Bore			Handle				Weight grams	
	Description	D	L	B	d1	d H7	h	keyway	H	Ø	m		R
GN 321-80-B10-D	80	26	13	26	10	16	•	42.5	18	M6	33.5	161	
GN 321-80-B12-D					12								154
GN 321-80-K10-D					10								159
GN 321-80-K12-D					12								152
GN 321-100-B10-D	100	30	14	28	10	17	•	52.5	21	M6	42.5	255	
GN 321-100-B12-D					12								253
GN 321-100-K10-D					10								253
GN 321-100-K12-D					12								251
GN 321-125-B12-D	125	33	15	31	12	18	•	67.5	23	M8	54	394	
GN 321-125-B14-D					14								374
GN 321-125-K12-D					12								392
GN 321-125-K14-D					14								372
GN 321-140-B14-D	140	36	16.5	36	14	19	•	67.5	23	M8	61	507	
GN 321-140-B16-D					16								503
GN 321-140-K14-D					14								501
GN 321-140-K16-D					16								505
GN 321-160-B14-D	160	39	18	36	14	20	•	82.5	26	M10	71	675	
GN 321-160-B16-D					16								665
GN 321-160-K14-D					14								671
GN 321-160-K16-D					16								661
GN 321-200-B18-D	200	45	20.5	45	18	24	•	82.5	26	M10	89	990	
GN 321-200-B20-D					20								988
GN 321-200-K18-D					18								984
GN 321-200-K20-D					20								963
GN 321-250-B22-D	250	51	23	48	22	28	•	92.5	28	M10	113	1626	
GN 321-250-B26-D					26								1583
GN 321-250-K22-D					22								1621
GN 321-250-K26-D					26								1577