

Levelling element



- **Glass-fibre reinforced polyamide-based (PA) technopolymer.**
Resistant to solvents, oils, greases and other chemical agents.

- **Black** standard colour with matte finish.

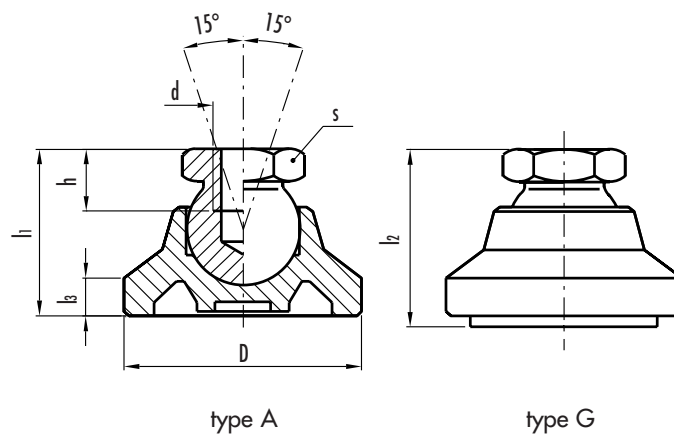
- AISI 303 stainless steel **ball joint**.

- **No slip disk:**

- type A: without no-slip disk

- type G: with NBR rubber hardness 70 shore A no-slip disk supplied assembled.

The particular configuration of bases and no-slip disks assure a strong assembly, preventing separation in case of strong impact or adhesion with the floor.



Standard elements	Main dimensions				Threaded ball joint		Wrench	Static load #	Weight
Description	D	l ₁	l ₂	l ₃	d 6H	h	s	[N]	grams
GN 343.7-25-M8-A	25	19	-	4	M8	9	13	5000	14
GN 343.7-32-M10-A	32	23	-	5	M10	10.5	16	7000	22
GN 343.7-40-M12-A	40	26	-	6	M12	11.5	18	10000	33
GN 343.7-50-M12-A	50	28	-	7	M12	11.5	18	10000	39
GN 343.7-60-M16-A	60	36	-	8.5	M16	16	24	14000	78
GN 343.7-25-M8-G	25	19	22	4	M8	9	13	5000	16
GN 343.7-32-M10-G	32	23	26	5	M10	10.5	16	7000	26
GN 343.7-40-M12-G	40	26	29	6	M12	11.5	18	10000	39
GN 343.7-50-M12-G	50	28	31	7	M12	11.5	18	10000	49
GN 343.7-60-M16-G	60	36	39	8.5	M16	16	24	14000	85

Static load stand for the value over which the applied load to the element, in certain conditions of use, may cause plastic material deformation.