

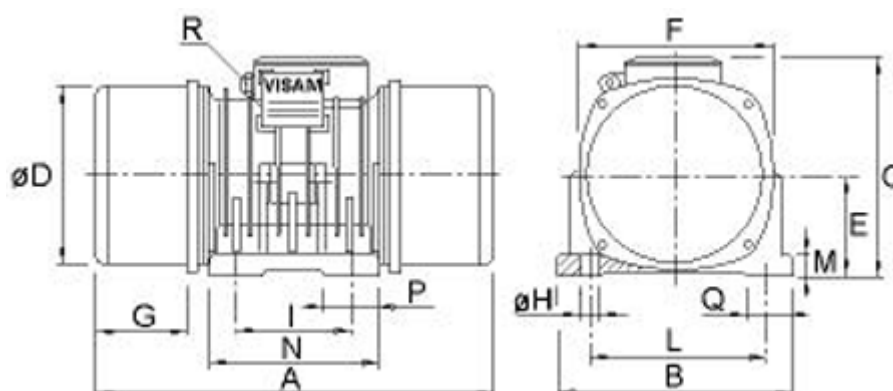
Data Sheet



Article number: 310101005504100

Description: Vibrator motor SPX - 50 0.3 B 2.4kgcm
1500 o/m 30kg 0,09kW 3x230-400V 50hz

Measures



| | |
|-----------|--------------|
| A = 215 | L = 106 |
| B = 152 | M = 12 |
| C = 143 | N = 100 |
| d = 106 | Number H = 4 |
| E = 62 | P = 35 |
| G = 50 | Q = 40 |
| H = 9 | R = M16x1,5 |
| I = 62-74 | |