

## Tommy screws

with movable bar

### SPECIFICATION

#### Types

- Type **D**: without thrust pad
- Type **E**: with thrust pad DIN 6311 (see page 938)

Steel

Tensile strength class 5.8

- blackened
- Thrust point hardened

Bar end caps

Plastic, grey

### INFORMATION

The thrust point of these screws DIN 6306 is designed to be used with or without the thrust pad for clamping.

The snap ring is a simple and quick method to connect the thrust pad to the tommy screw.

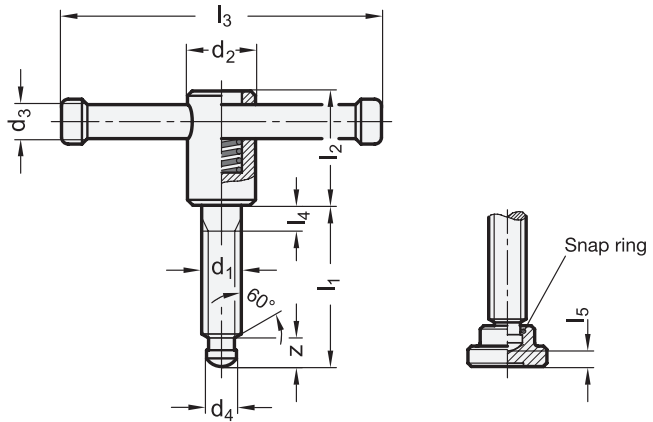
Instead of DIN 6311 (see page 938) a thrust pad GN 6311.1 (see page 939) can be used. In that case the tommy screw and the thrust pad have to be ordered separately.

The movable bar of the tommy screw DIN 6306 is held in any position by the pressure spring.

The end caps are pressed on to the bar and thus limit the bar travel, they can also be supplied separately should the bar be plated first. The official DIN standard sheets provides for steel rings at this point.

### TECHNICAL INFORMATION

- Thrust pads DIN 6311 (see page 938)
- ISO-Fundamental Tolerances (see page A21)



\* Complete with type of the Tommy screws (D or E)

**D** without thrust pad      **E** with thrust pad

### DIN 6306

Description	d1	l1	d2	d3	d4 H11	l2	l3	l4	l5 ≈	z ≈	⚖
DIN 6306-M10-40-*	M 10	40	18	8	8	32	80	10	3.6	8.2	103
DIN 6306-M10-50-*	M 10	50	18	8	8	32	80	10	3.6	8.2	109
DIN 6306-M12-50-*	M 12	50	20	10	8	35	100	10	4.5	8.6	177
DIN 6306-M12-60-*	M 12	60	20	10	8	35	100	10	4.5	8.6	184
DIN 6306-M16-55-*	M 16	55	24	13	12	40	120	10	5.3	10.6	346
DIN 6306-M16-70-*	M 16	70	24	13	12	40	120	10	5.3	10.6	367
DIN 6306-M16-90-*	M 16	90	24	13	12	40	120	10	5.3	10.6	359
DIN 6306-M20-55-*	M 20	55	30	16	15.5	45	140	10	5.6	12.4	607
DIN 6306-M20-70-*	M 20	70	30	16	15.5	45	140	10	5.6	12.4	637
DIN 6306-M20-90-*	M 20	90	30	16	15.5	45	140	10	5.6	12.4	657

Weight type E