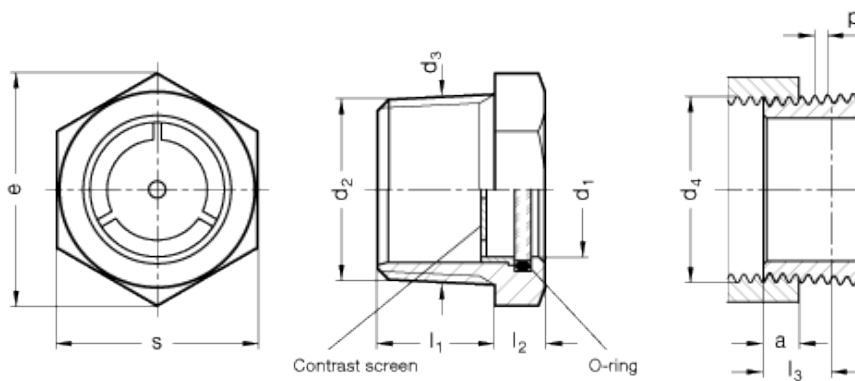


GN 743.8

Oil level indicators
with conical threading
for high temperatures



technical informations

Material

Brass.

- Version A: with technopolymer (Polysulfon) contrast screen.
- Version B: without contrast screen.

Window

ESG-glass.

O-ring

FPM synthetic rubber (type VITON[®], registered trade mark of DuPont Dow Elastomers).

Maximum continuous working temperature

180°.

Features and applications

The conical thread of the oil level indicators GN 743.8 makes a metallic seal possible. When tightening the conical male thread R it blocks itself with the appropriate cylindrical female thread Rp.

At the reference level the R-male thread has the same thread diameter as the Rp-female thread, so that it can be screwed in by hand. The strong tightening by means of a tool increases the length of engagement and seals the screw connection. Additionally a sealant (hemp or teflon band) is usually used. The R-thread is "roughened", so that the sealant does not shift when screwing in.

Oil level indicators GN 743.8 can be used on pressurised tanks. Data of pressure and vacuum pressure tests is available.

Standard Elements	Main dimensions											Weight
Description	d ₁	d ₂	a *	d _{3 at a}	d ₄	e	l ₁	l ₂	l _{3 **}	s	p ***	g
GN 743.8-11-R3/8-A	11	R 3/8	6.4	16.7	Rp 3/8	22	13	6	10.1	19	1.34	19
GN 743.8-14-R1/2-A	14	R 1/2	8.2	21	Rp 1/2	27.5	17	7	13.2	24	1.81	33
GN 743.8-18-R3/4-A	18	R 3/4	9.5	26.4	Rp 3/4	31	18	8	14.5	27	1.81	50
GN 743.8-24-R1-A	24	R 1	10.4	33.2	Rp 1	40.5	21	9	16.8	35	2.30	93
GN 743.8-32-R1¼-A	32	R 1¼	12.7	42	Rp 1¼	53	24	9	19.1	44.5	2.30	149
GN 743.8-11-R3/8-B	11	R 3/8	6.4	16.7	Rp 3/8	22	13	6	10.1	19	1.34	19
GN 743.8-14-R1/2-B	14	R 1/2	8.2	21	R 1/2	27.5	17	7	13.2	24	1.81	33
GN 743.8-18-R3/4-B	18	R 3/4	9.5	26.4	Rp 3/4	31	18	8	14.5	27	1.81	50
GN 743.8-24-R1-B	24	R 1	10.4	33.2	Rp 1	40.5	21	9	16.8	35	2.30	93
GN 743.8-32-R1¼-B	32	R 1¼	12.7	42	Rp 1¼	53	24	9	19.1	44.5	2.30	149
GN 743.8-11-3/8 NPT-A	11	3/8 NPT	6.4	17.1	3/8 NPT	22	15	6	-	19.1	1.41	19
GN 743.8-14-1/2 NPT-A	14	1/2 NPT	8.2	21.2	1/2 NPT	27.5	16	7	-	23.8	1.81	33
GN 743.8-18-3/4 NPT-A	18	3/4 NPT	9.5	26.6	3/4 NPT	33	18	8	-	28.6	1.81	50
GN 743.8-24-1 NPT-A	24	1 NPT	10.4	33.7	1 NPT	41.5	21	9	-	34.9	2.21	93
GN 743.8-32-1¼ NPT-A	32	1¼ NPT	12.7	42.2	1¼ NPT	51.5	23	9	-	44.5	2.21	149
GN 743.8-11-3/8 NPT-B	11	3/8 NPT	6.4	17.1	3/8 NPT	22	15	6	-	19.1	1.41	19
GN 743.8-14-1/2 NPT-B	14	1/2 NPT	8.2	21.2	1/2 NPT	27.5	16	7	-	23.8	1.81	33
GN 743.8-18-3/4 NPT-B	18	3/4 NPT	9.5	26.6	3/4 NPT	33	18	8	-	28.6	1.81	50
GN 743.8-24-1 NPT-B	24	3/4 NPT	10.4	33.7	3/4 NPT	41.5	21	9	-	34.9	2.21	93
GN 743.8-32-1¼ NPT-B	32	1¼ NPT	12.7	42.2	1¼ NPT	51.5	23	9	-	44.5	2.21	149

*datum plane ** usable thread length *** thread pitch



ELESA and GANTER models all rights reserved in accordance with the law. Always mention the source when reproducing our drawings.

STANDARD MACHINE ELEMENTS WORLDWIDE