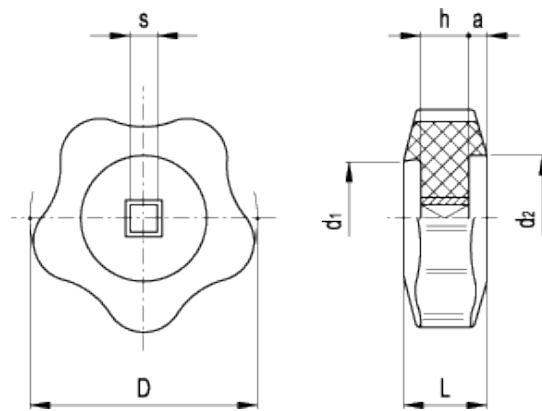


VCR.372

Lobe knobs with square hole



technical informations

Material

Phenolic based (PF) Duroplast. Resistant to solvents, oils, greases and other chemical agents.

Colour

Black, glossy finish.

Assembly

Square through hole with brass reinforcement.

Features

Special front housing (d_2) for fitting plates with operating symbols, marks, etc....

The exclusive five-lobe shape (ELESA original design) offers the operator's fingers a proper grip and prevents unhealthy residues from depositing thanks to its solid shape without cavities.

Standard Elements		Main dimensions					Mounting hole		Weight
Code	Description	D	L	d_1	d_2	a	s_{H9}	h	g

69701	VCR.372/60-7x7	60	18	29	34	3	7x7	10	47
69801	VCR.372/70-8x8	70	21	35	35	4	8x8	14	80



ELESA and GANTER models all rights reserved in accordance with the law. Always mention the source when reproducing our drawings.

STANDARD MACHINE ELEMENTS WORLDWIDE