

Retaining magnets

disc-shaped, with countersunk bore,
with rubber jacket

SPECIFICATION

Steel part
zinc plated

Material of the magnet
NdFeB **ND**
Neodymium, iron, boron
temperature resistant up to 80 °C

Rubber jacket
Elastomer (TPE)
≈ 80 Shore A
black **SW**
white **WS**

INFORMATION

The retaining magnets GN 51.8 with rubber jacket form a system together with the steel part that shields and strengthens the magnet, optimally concentrating the magnetic flux on the rubberized magnetic surface.

The rubber protects sensitive surfaces from being damaged by the magnet and also delivers a high friction coefficient, resulting in high lateral displacement forces.

TECHNICAL INFORMATION

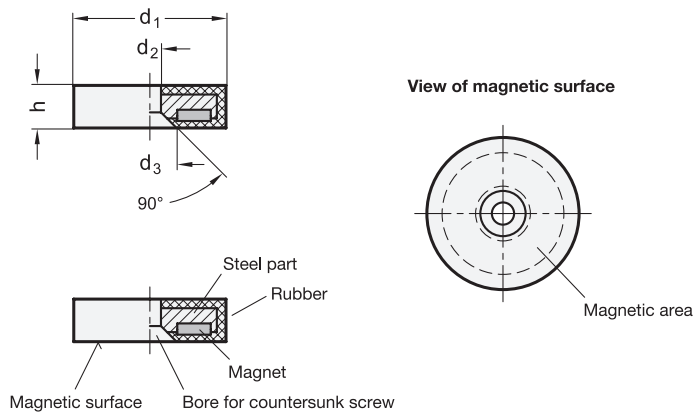
- Elastomer characteristics (see page A32)

ACCESSORY

- Holding discs GN 70 (see page 2051)
- Adhesive discs GN 70.1 (see page 2051)

ON REQUEST

- other colors
- other Shore hardnesses



GN 51.8

Description	d1	d2	d3	h	Nominal magnetic forces in N	⚖️
GN 51.8-ND-43-SW	43	7.5	12.5	6	100	27
GN 51.8-ND-43-WS	43	7.5	12.5	6	100	27
GN 51.8-ND-88-SW	88	6.5	12.5	8.5	550	182
GN 51.8-ND-88-WS	88	6.5	12.5	8.5	550	182

