

Knob for position indicators

For DD50 indicators, technopolymer

KNOB

Glass-fibre reinforced polyamide based (PA) technopolymer, black colour, matte finish.

CAP

Polypropylene based (PP) technopolymer, RAL 2004 (C2) orange or RAL 7035 (C3) grey colour, matte finish, press-fit assembly.

Can be removed easily from the knob when not fitted to the indicator, if required.

STANDARD EXECUTIONS

- **MDX-50-N**: no graphic symbol.
- **MDX-50-D**: with arrow indicating clockwise increase.
- **MDX-50-S**: with arrow indicating anti-clockwise increase.

APPLICATIONS

The MDX-50 knob is made to be fitted to mechanical position indicators DD50 (see page 492).

ACCESSORIES ON REQUEST

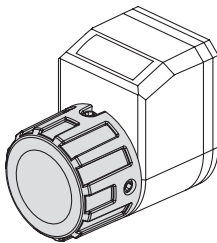
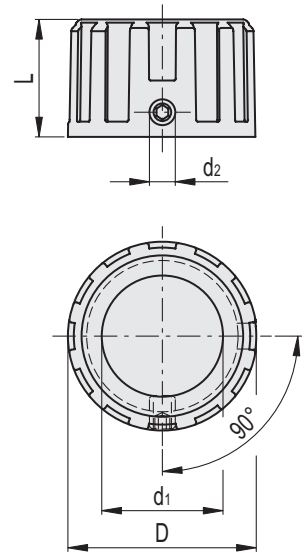
CA.VCT; polypropylene-based (PP) technopolymer cap, in Elecolors colours, matte finish, press-fit assembly. For sufficient quantities, it can be supplied in other colours or with customised graphic symbols, marks or writings.

ASSEMBLY INSTRUCTIONS

1. Remove the screw from the indicator boss and replace it with a longer stainless steel screw (M3x6 supplied).
2. Fit the knob to the indicator boss, fitting the slotted seat into the new screw.
3. Fix the knob to the indicator boss using the non-hexagonal socket head stainless steel grub screw with cup end, as per UNI 5929-85 (M3x4 supplied). Suggested tightening torque: 0.2 Nm



ELESA Original design



Code	Description	D	L	d1	d2	Δ
CE.81831-N-C2	MDX.50-N-C2	23.5	15	16.5	M3	6
CE.81831-N-C3	MDX.50-N-C3	23.5	15	16.5	M3	6
CE.81831-D-C2	MDX.50-D-C2	23.5	15	16.5	M3	6
CE.81831-D-C3	MDX.50-D-C3	23.5	15	16.5	M3	6
CE.81831-S-C2	MDX.50-S-C2	23.5	15	16.5	M3	6
CE.81831-S-C3	MDX.50-S-C3	23.5	15	16.5	M3	6